

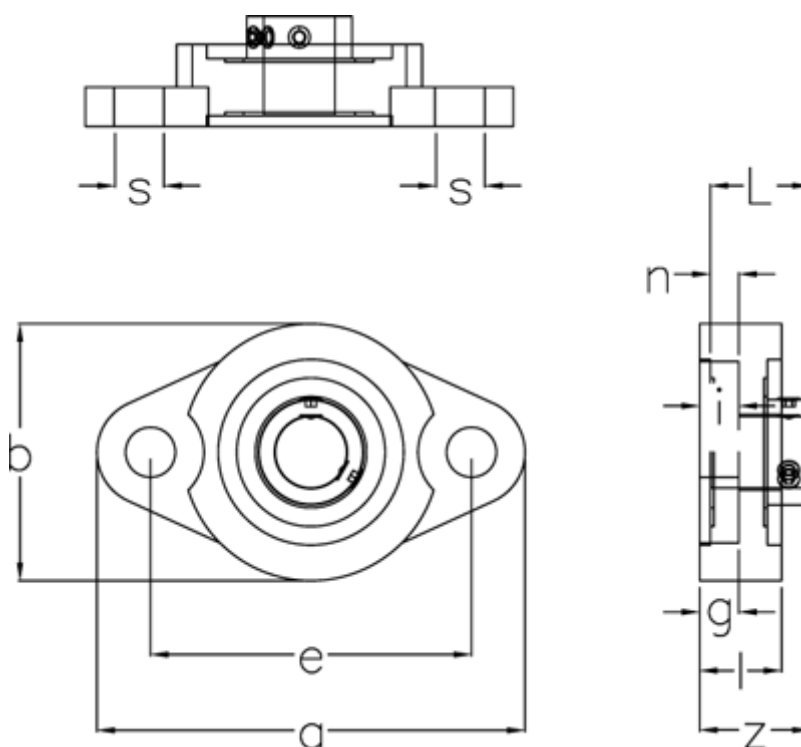
Data Sheet



Article number: 5425061003

Description: 2 hole Flange Unit KFL003 for shaft $\varnothing 17\text{mm}$
Housing alu, bearing steel, extra small

Measures



a	= 71	l	= 14.0
b	= 46	L	= 17.5
Bearing	= K003	Nominal drive	= 5.0
Bolt size	= M6	s	= 7
e	= 56	Weight	= 0.40
g	= 7.0	z	= 19.5
Housing	= FL003		
i	= 7.0		